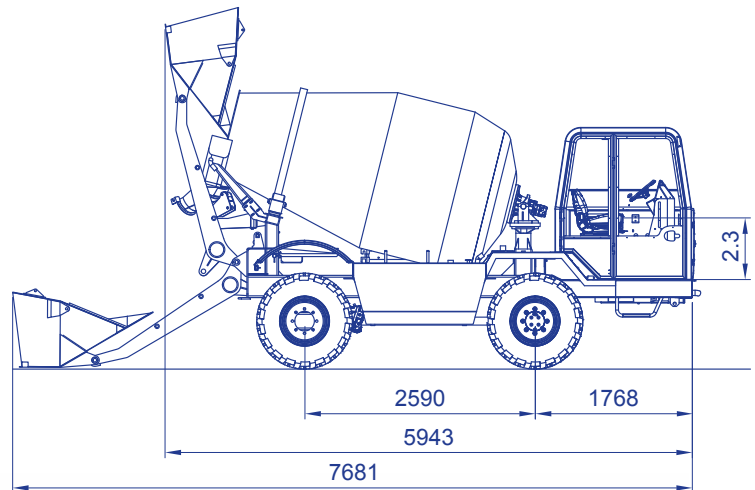
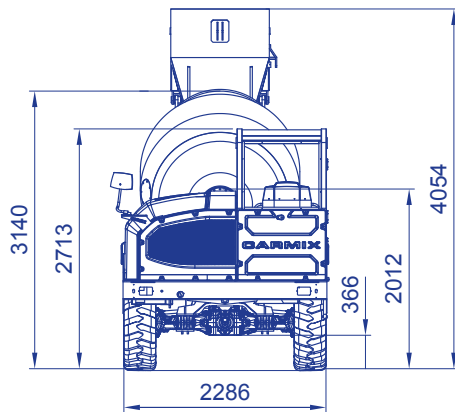


# CARMIX 45EVO

**CARMIX**  
4x4 mixers & dumpers



## ACCESSORIES ON DEMAND

High-pressure washing pump

Rear camera (front camera standard)

Spare wheel

# CARMIX 45EVO



## MIXING UNIT

Drum capacity 6050 liters, Concrete drum output: 4,5 m<sup>3</sup>. Double mixing screws, cover for emergency unloading. Drum rotation by hydraulic motor and planetary reducers. Mixing and discharging speed independent from r.p.m. of diesel engine. Discharging by reversing drum.



## ENGINE

**Perkins Stage III - Tier 3A** 1104D-44TA Turbo-diesel, 4 cylinders, water-cooled. Power 83 kW (111 HP) set at 2200 rpm.

**Perkins Stage V - Tier 4F** 904J-E36TA Turbo-diesel, 90 Kw (120 Hp).



## TRANSMISSION

Hydrostatic Bosch-Rexroth. Heavy duty differential axles with planetary reducers. Front axle swinging and steering. Rear axle fixed.



## AXLES

Comer with oil bath disc brakes and planetary reducers.



## CHUTE

Slewing and hydraulically tilting. 2 extra chutes included.



## WATER SYSTEM

Self-contained. Hydraulic driven water pump, water meter, washing outlet.



## GRADIENT

Fully loaded 30%.



## BRAKES

Oil bath disc brakes inside differential axles. Twin independent circuits. Negative hydraulic parking brake.



## TYRES

Off road industrial type 405/70 - 20 PR18.



## STEERING

Hydrostatic. 3 wayS steering. Radius: internal mm 1800 - external mm 3800.



## SPEED

Working speed from 0 to 9 Km/h, road transfer from 0 to 25 Km/h. Electric servo control.



## CABIN

Closed cab ROPS FOPS (UNI 11023) complete with air conditioning and front camera. Reversible diving seat 180° with automatic inversion of hydraulic steering circuit. Rear camera on request.



## HYDRAULIC SYSTEM

3 independent circuits. 2 variable outlet pumps for hydrostatic transmission and drum rotation. 2 pump for services. Inlet and outlet filter. Heat exchanger water/oil-air type.



## JOYMIX

All hydraulic functions of shovel controlled by a single - fully servo controlled Joystick.



## MYCARMIX

App and on board heavy duty tablet to control and manage mix design, engine diagnostic, geolocation and cloud technology.



## LOADING SHOVEL

Effective capacity per load 600 liters, complete with hydraulic opening gate.



## ELECTRIC SYSTEM

12 Volt. 120 Ah battery for electric starter and road lighting. Safety battery cut-off.



## TANKS

Water: 2x600 liters. Diesel: 130 liters. Hydraulic oil 80 liters.



## CHASSIS

Steel profile specially engineered for off-road operations.



## WEIGHT

In running order 7.000 Kg, equally distributed on both axles.



## SAFETY

Machine equipped with checking and block valves for maximum safety of the operator.



## CATALOGUE

The machine is equipped with Use and Maintenance and Spare Parts manuals according to CE regulations.

**CARMIX**  
**EVERYWHERE**  
**YOU BUILD**